

CBCS 2022 – SCHEME

BCEDK103/203

USN

--	--	--	--	--	--	--	--	--	--

First/Second Semester B.E./B.Tech. Degree Examination, Dec.2023/Jan.2024

COMPUTER AIDED ENGINEERING DRAWING

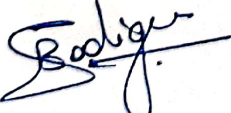
Time: 3 Hours

(COMMON TO ALL BRANCHES)

Max.Marks:100

- Note: 1. Answer all four full question.
2. Grid sheets may be provided for making preparatory sketches.

Module – 1		
Q. No.		Marks
1	A regular hexagonal lamina of sides 30mm is lying in such a way that one of its sides touches both the reference planes. If the lamina makes 60° with HP, draw the projections of the lamina.	20
Module – 2		
2	A cube of 40 mm sides rests on HP on an edge which is inclined to VP at 30° . Draw the projections when the lateral square face containing the edge on which it rests makes an angle of 50° to HP.	30
Module – 3		
3	A cone of base diameter 30 mm and height 40 mm rests centrally over a cube of side 50 mm. Draw the isometric projection of the combination of solids.	25
Module - 4		
4	A square prism of base sides 30 mm and axis length 60 mm is resting on HP with all the vertical faces equally inclined to VP. It is cut by an inclined plane 60° to HP and perpendicular to VP and is passing through a point on the axis at a distance of 50 mm from the base. Obtain the development for the truncated portion of the solid.	25


(Dr. Shankar Bodigin).

Examiner 1:
Name:
Signature:

Examiner 2:
Name:
Signature:


HOD
Mechanical Engineering
KLS Vishwanathrao Deshpande
Institute of Technology
Kalyan-581329

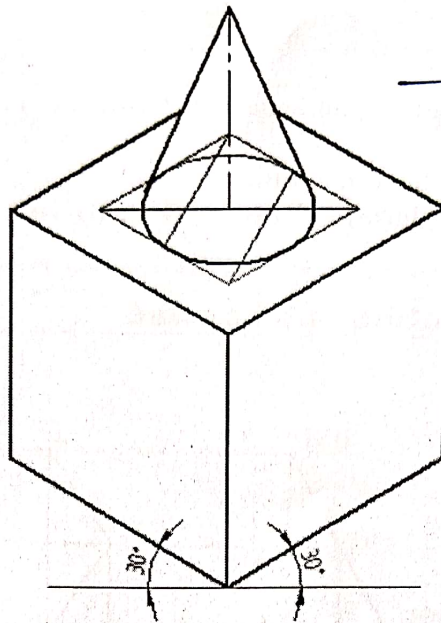


Department: Mechanical Engineering Semester End Exam
Subject with Sub. Code: Computer Aided Engineering Drawing (BCEDK103)
Name of Faculty: Dr. Shankar Badiger

Semester:1st

Q.No.	Solution and Scheme	Marks
1)	<p>(i) (ii) (iii)</p>	i) - 6 ii) - 6 iii) - 8
2)	<p>(i) (ii) (iii)</p>	i) - 10 ii) - 10 iii) - 10

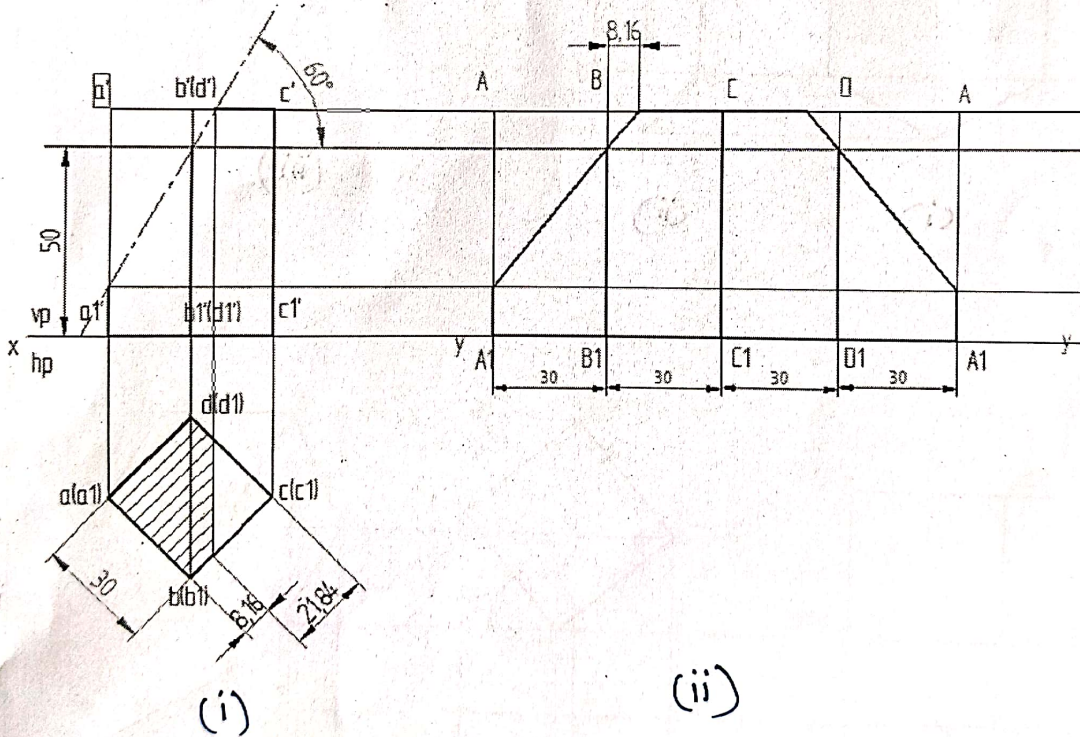
3)



15

10

4)



i) 10
ii) 15

Dr. Shankar Bodigys
 (Dr. Shankar Bodigys)

[Signature]
 HOD
 Mechanical Engineering
 KLS Vishwanathrao Deenpande
 Institute of Technology
 Haliyal-581329