

CBCS 22-SCHEME

USN

BCEDK103/203

First/Second Semester B.E. Degree Examination, Jan/Feb 2024

Computer Aided Engineering Drawing

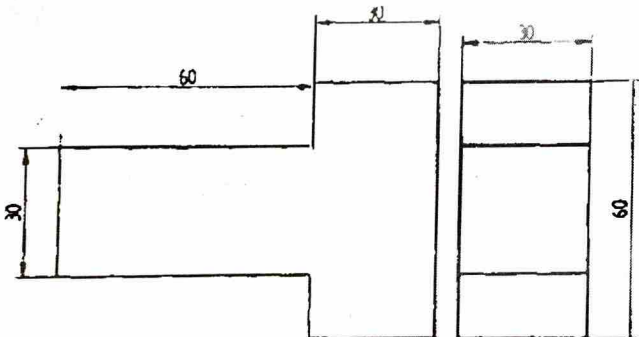
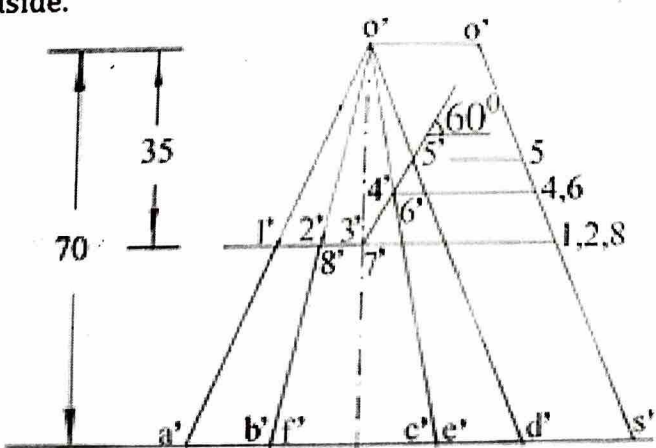
Time: 3 Hours

(COMMON TO ALL BRANCHES)

Max. Marks: 100

Note: 01. Answer all Four full questions

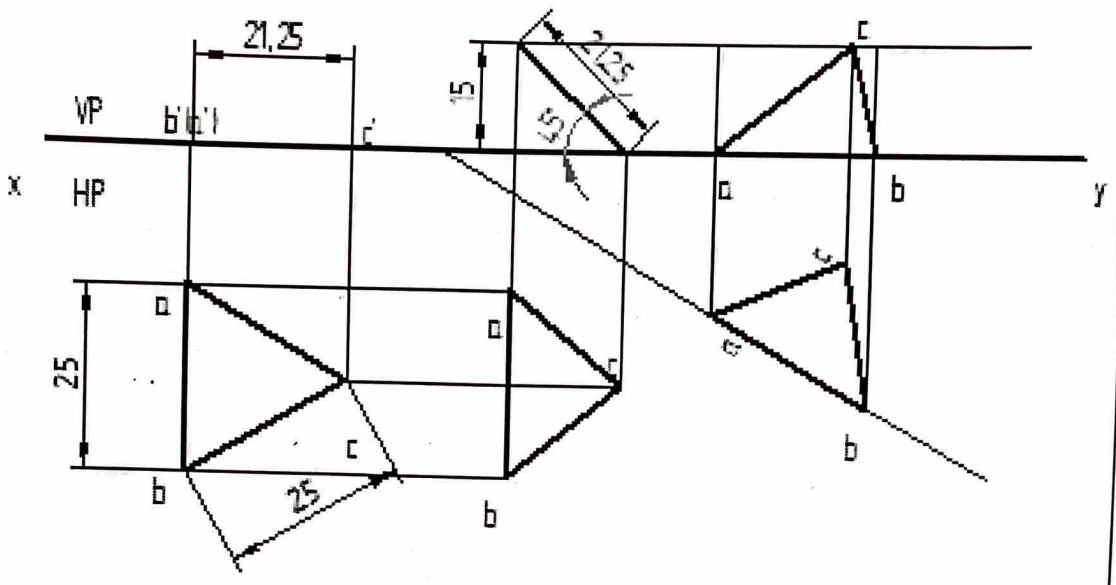
02. Grid sheets may be used for making preparatory sketches

Module - 1		Marks
Q.01	A triangular plane lamina of sides 25 mm is resting on HP with one of its corners touching it such that the side opposite to the corner on which it rests is 15 mm above HP and makes an angle of 30° with VP. Draw the top and front views in this position. Also determine the inclination of the lamina to the reference plane.	20
Module - 2		
Q.02	A square pyramid 35 mm sides of base and 65 mm axis length rests on HP on one of its corners of the base. Draw the projections of the pyramid when its base is inclined to HP at 45° and its axis appears to be inclined at 30° to VP.	30
Module - 3		
Q.03	The following figure shows the front and side view of the object. Draw its isometric projection	25
		
Module - 4		
Q.04	Draw the development of the lateral surfaces of a regular hexagonal pyramid for the Fig as shown aside.	25
		

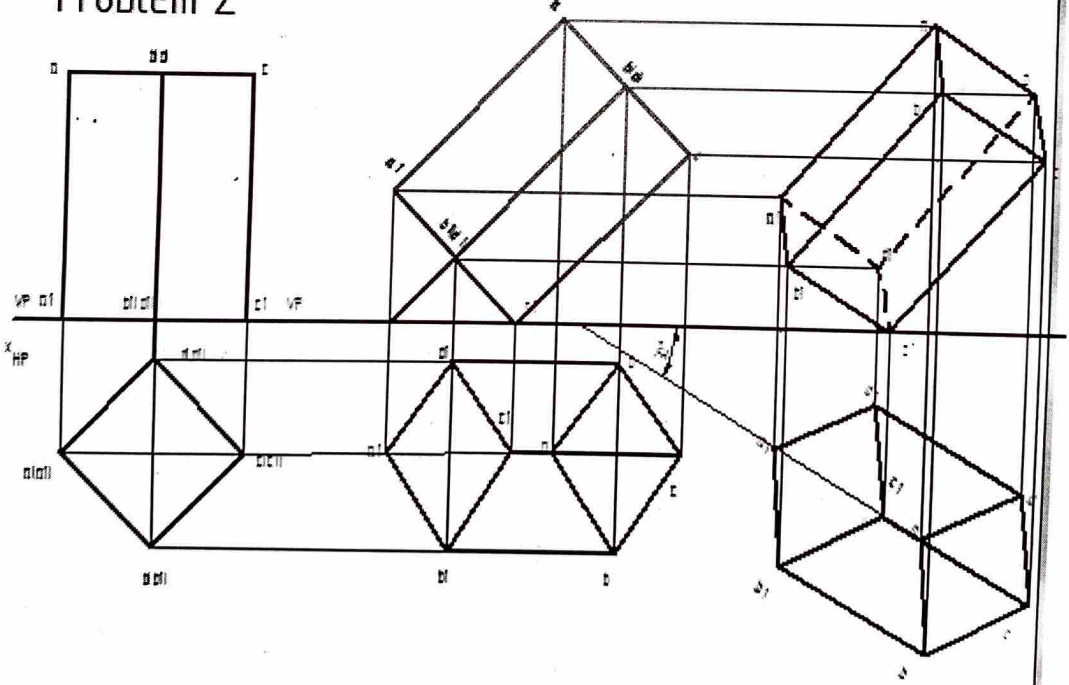
[Handwritten signature]

[Handwritten signature]
 HOD
 Mechanical Engineering
 S. Vishwanathrao Deshpande
 Institute of Technology
 Haveli-581329

Problem 1



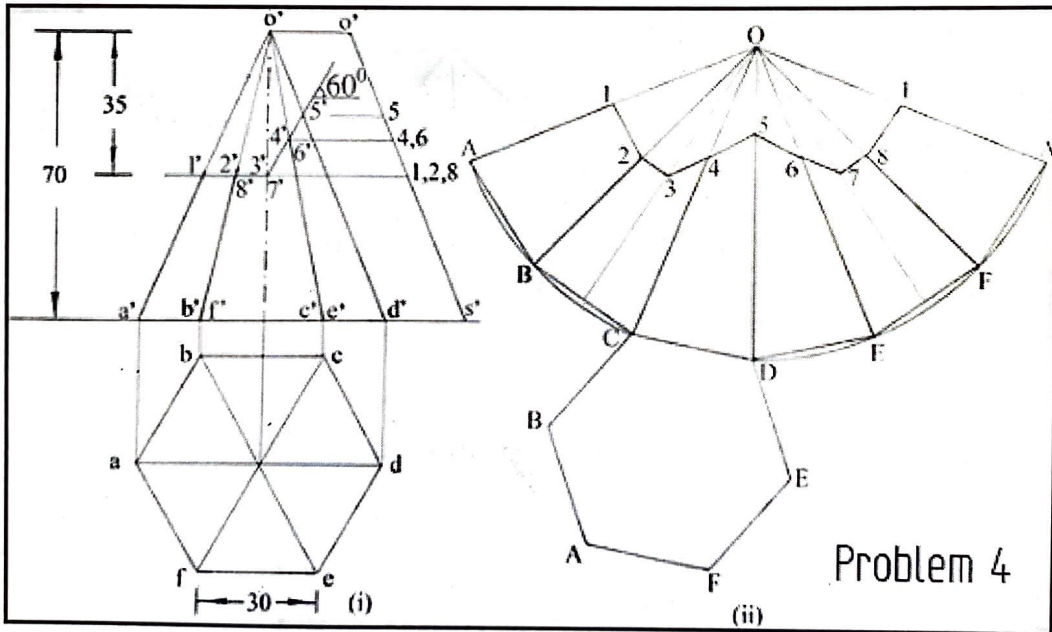
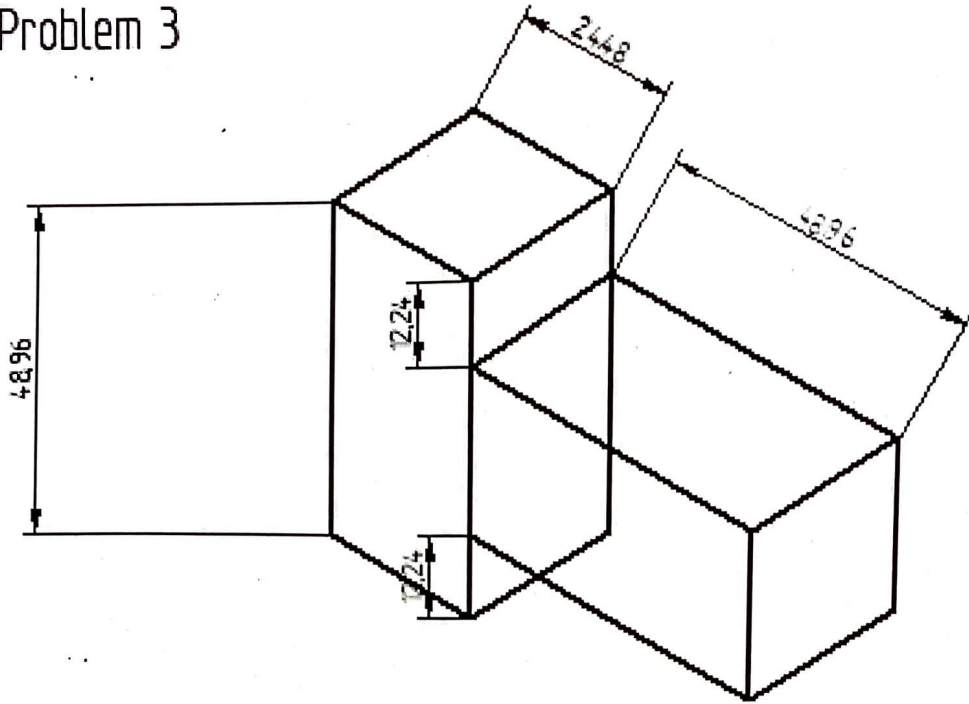
Problem 2



[Handwritten signature]

[Handwritten signature]
 10/12
 HOD
 Mechanical Engineering
 KLS Vishwanathrao Deenpande
 Institute of Technology
 Halival-581329

Problem 3



Problem 4

Signature

Signature
10/12/24
100

Mechanical Engineering
SLS Vishwanathrao Deshpande
Institute of Technology
Haliyal-581329